

NEST[®]



Disposable Sampler Saliva Collection Kit



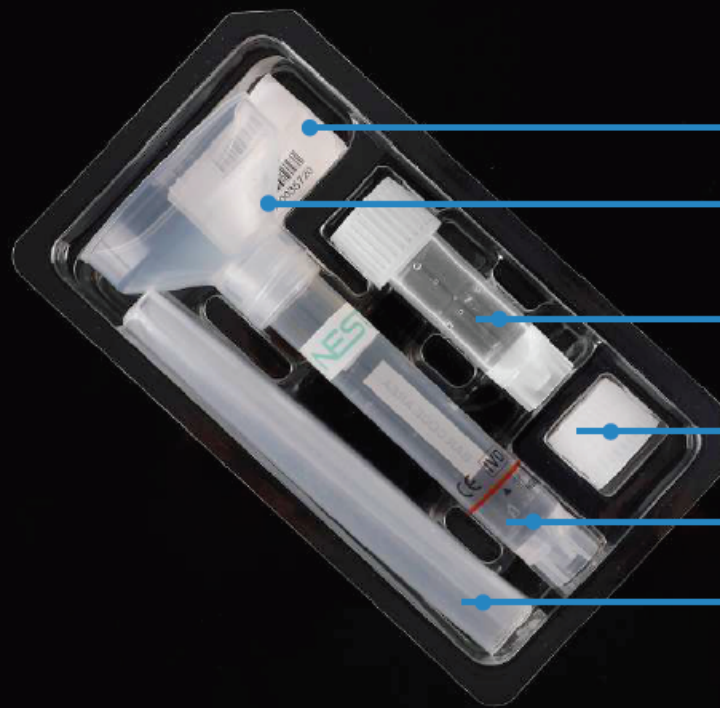
Painless

Easy to Use

**Collect High
Quality Saliva
Sample**

- The product is used to collect high-quality DNA/RNA samples in the saliva;
- The collection process is painless and won't cause any injury or discomfort to the human body;
- The collected samples can be used for various biological experiments such as enzymatic hydrolysis, PCR and next-generation sequencing and are widely used in the collection and preservation of specimens in hospitals, scientific research institutions and households.
- It can perfectly replace blood DNA/RNA sample, especially for patients who are unwilling or unable to cooperate with blood sampling.

Product List



Barcode x 4

Funnel x 1

Preservation solution vial x 1
(containing 2.0 mL of preservation solution)

Saliva collecting vial cap x 1

Saliva collecting vial x 1

Sample bag x 1

Saliva Collection Kit with ITM



Cat. No. : 203011

Product model : NSM09B

Individually packaged in blister card,
100 Kits/Case

Features :

- Use at normal room temperature;
- The 5 mL preservation solution vial is filled with 2 mL ITM solution;
- Samples can be stored and transported at room temperature; DNA samples can be stored stably for 12 months; RNA samples can be stored steadily for 1 month.
- This preservation solution has good antibacterial performance and high storage efficiency and can ensure the integrity of viral nucleic acids in the sample when it is used to store inactivated viral samples.

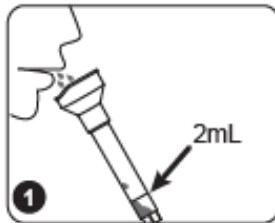
Characteristics of ITM Inactivated Solution

	Yield (µg)	Concentration (ng/µL)	A260/280 Ratio
Mean±SD	62.97±53.18	31.54±26.59	1.84±0.23
Median	55.46	27.73	1.83
95% of Samples	≥9.74	≥4.87	1.75-1.93

Operation Instructions

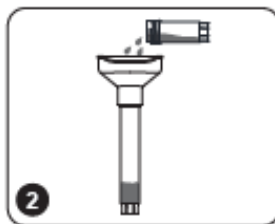


Clean the mouth with drinking water and fast 30 minutes before saliva sample collection. Do not eat, drink, smoke or chew gum.



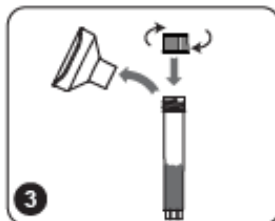
1

Before collecting saliva, relax your cheeks and gently massage cheeks with fingers for 15~30 seconds to produce saliva. Gently spit saliva into the funnel until the liquid saliva (non-bubble) reaches the height of 2.0 ml scale line. Saliva samples collected shall be free of impurities and sputum. Don't spit all over the vial.



2

Hold the saliva collecting vial in hand and keep it upright. Use the other hand to unscrew the cap of the preservation solution vial. Slowly pour the preservation solution into the funnel, and keep the funnel and saliva collecting vial upright so that the preservation solution could flow into the collecting vial completely. The preservation solution should not be eaten.



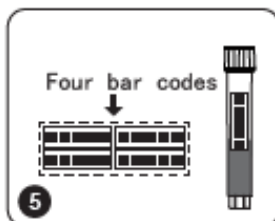
3

Keep the collecting vial upright, unscrew the funnel, take out the clean saliva collecting vial cap from the packing box, screw and tighten it on the saliva collecting vial. The vial caps have a choking hazard. Keep out of reach of children.



4

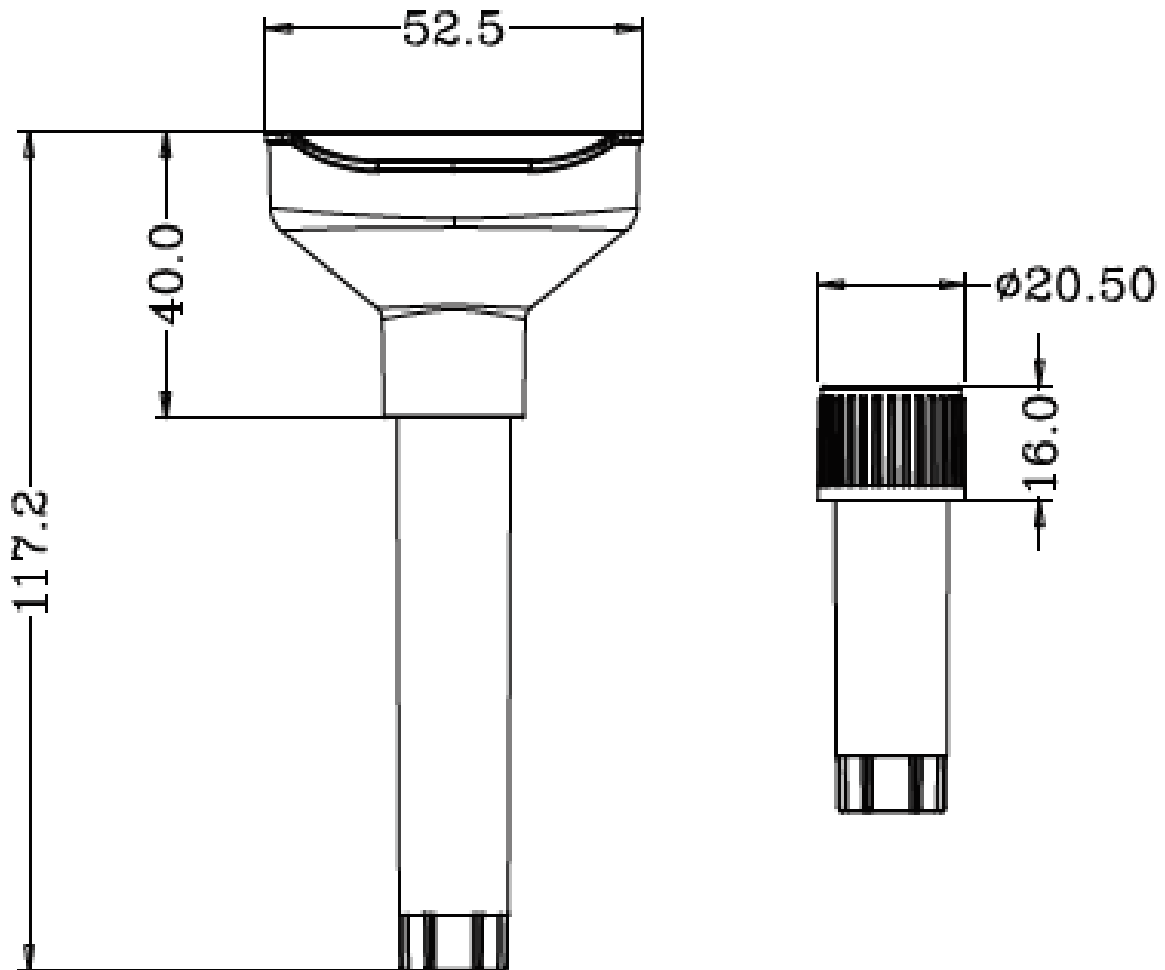
Turn the collecting vial upside down for 10 times to fully mix saliva and preservation solution.



5

Take out a bar code from the packing box and stick it on the saliva collecting vial, then put the collecting vial with bar code and two bar codes into the sample bag for storage, transportation or testing, and the remaining bar code is kept by the user for subsequent information feedback.

Technical Drawing



JoJo Life Science UG (haftungsbeschränkt) - Biberstraße 32 - 89537 Giengen
Tel. 07322-9111329 - Mail: info@jojo-ls.de - Web: www.jojo-ls.de