







## UTM (Universal Transport Medium)

- Used for collection, storage and transportation of viruses, chlamydiae, mycoplasma and ureaplasma.
- Unused UTM medium can be transported at room temperature.
- Sample transport temperature requirement & storage time: 2 to 4 C°, 48h.

Cat.No.	Description	/Pk	/Cs
171431	5 mL Vial Filled with 2.5 mL UTM Medium (10 Pcs / Pack) Oropharyngeal Swab (Individually Wrapped, Sterile)	10	50
171433	10 mL Vial Filled with 3 mL UTM Medium Packaged with One Oropharyngeal Swab, Sterile	1	100
171432	5mL Vial Filled with 2.5 mL UTM Medium (10 Pcs / Pack) Nasopharyngeal Swab (Individually Wrapped, Sterile)	10	50
171434	10 mL Vial Filled with 3 mL UTM Medium Packaged with One Nasopharyngeal Swab, Sterile	1	100

### Operating Instruction



Peel apart the package



Remove the sterilized swab to collect samples



Insert the swab into transport medium and break the handle at breakpoint after sampling.



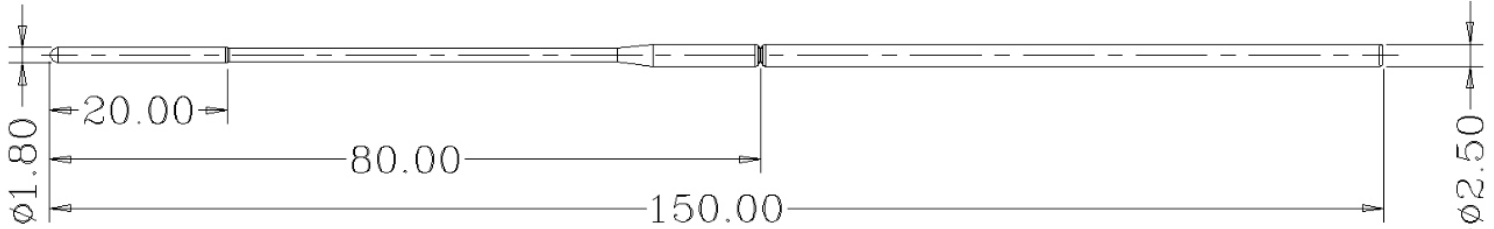
Tighten the cap to secure.



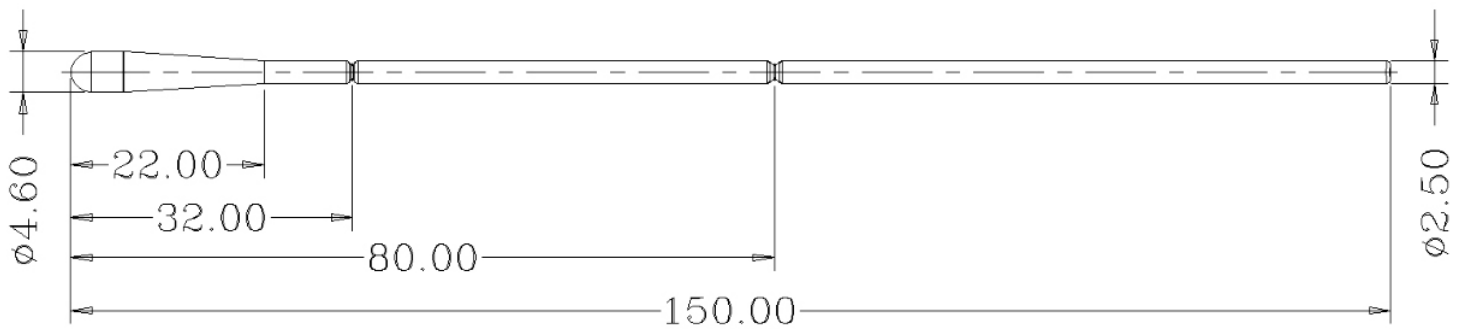
- The color of UTM medium and VTM medium is pervious red. Don't use it if the color of medium became pervious orange.
- ITM medium is transparent.

## ▼▲ Technical Drawing

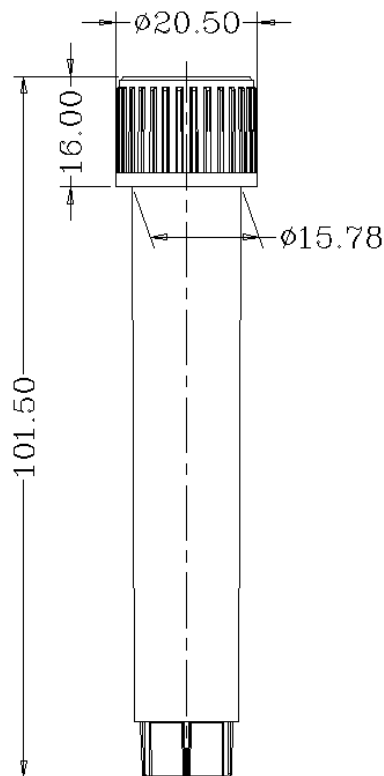
Nasopharyngeal Specimen Collection Swab



Oropharyngeal Specimen Collection Swab



10 mL Vial



5 mL Vial

